

FAST MOVER

Automotive Refinishing

FT1022

75mm Random Orbital Sander

Product Instruction Manual



T: +44 (0)1582 661993 F: +44 (0)1582 667100 E: sales@fastmovertoolsuk.com

FT1022
Instruction Manual

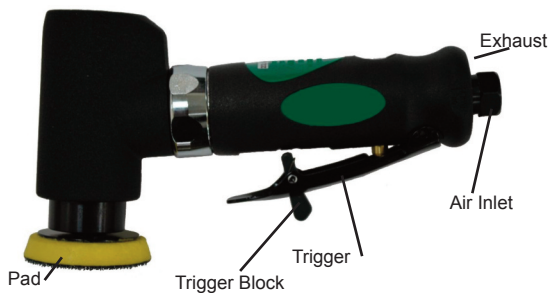
IMPORTANT

Please read through this Manual carefully before using the FT1022.

This tool must only be used for sanding and within the parameters outlined in this manual. All users of the equipment should be trained in any risks associated with the products they are sanding or using as finishing aids.

Tool Use

This Air Operated Sander is designed for the purpose of sanding a variety of coatings from steel, wood, plastics, etc.



Specification

Disc/Pad Diameter	2"/50mm & 3"/75mm	
Tool Thread	M6	
Free Speed	13,000RPM	
Minimum Pad Rated Speed	15,600RPM	
Orbit	3mm	
Operating Pressure	90Psi/6.3BAR	
Air Consumption	10.6cfm	
Air Inlet	1/4" BSP	
Vibration Level	6.3m/s ²	Determination of the test results includes consideration of measurement uncertainty from the test equipment and methods.
Noise Level	81dB(A)	
Weight	0.65kg	
Length	180mm	

Safety Instructions

These instructions are intended as a guide to the correct use of this equipment. The process or materials being sanded may have risk characteristics requiring additional safety measures and these must be identified by the user. All users of this sander must be thoroughly acquainted with this manual.

Before Use and Before Using Tool for the First Time



sure you have the relevant Personal Protection Equipment (PPE).

Hand Protection

The pad revolves at high speed and may cause damage if brought into contact with exposed flesh. The workpiece and the pad may also get hot after prolonged use. Hand protection must be strong enough to protect the skin and be a good fit and have no loose parts that may get caught in rotating parts.

Fast Mover Tools Limited

T: 01582 661993 F: 01582 667100 E: sales@fastmovertoolsuk.com

www.fastmovertoolsuk.com

PLEASE KEEP THIS MANUAL SAFE FOR FUTURE REFERENCE



Eye and Breathing Protection

The sanding process will create dust and other airborne particles. There is no dust extraction function on this machine so it is essential that approved eye and breathing protection is worn.



Noise and Ear Protection

Depending on the material being worked on and the type of sanding disc used, noise levels may cause hearing damage including temporary or even permanent hearing loss. It is recommended that Ear Protection is worn at all times when using the sander.

Repetitive Strain Injury (RSI)

All products of this nature can cause RSI if used for long period, particularly in an awkward operating position. Adequate rest periods and working conditions should be considered for prolonged use.

General Safety Information

- 1 Ensure the sanding pad is equal to or greater than 120% of the stated RPM of the sander.
- 2 Keep the workplace clean and tidy.
- 3 Use the tool in a well ventilated area.
- 4 Air hoses can present a trip hazard, always keep hoses in a way that minimises trip hazards.
- 5 DO NOT hold the workpiece by hand, always make sure the workpiece is clamped securely.
- 6 Keep all flammable and combustible materials away from the work area.
- 7 Children and other unauthorised persons should be kept away from the work area.
- 8 NEVER use the sander whilst the floor underfoot is wet or slippery.
- 9 NEVER use the sander when standing on an unstable surface.
- 10 Keep the sander out of reach of children.
- 11 Analyse the material you are sanding. Be aware of the dangers of sanding lead based paints. Historically, paint contained lead and sanding such paint will cause toxic dust. If you suspect that lead could be in the paint the following actions must be observed;
 - Alert any other persons in the nearby and keep them away from the working area.
 - Use specific air fed respirator, PE coated coveralls and latex gloves.
 - Dispose of any dust and paint waste correctly and thoroughly clean the workpiece and working area after the sanding has finished.
- 12 NEVER attempt to sand materials containing asbestos.
- 13 VIBRATION. Hand held air tools may produce vibration. Vibration from sanders can cause disease. The use of gloves will help reduce the risk and can help prevent injury.
- 14 Disconnect the air supply before changing disc or pad.
- 15 Ensure the sander has stopped rotating before putting it down or handling the pad or disc.
- 16 NEVER carry the sander by the air hose.
- 17 NEVER point the sander at other persons.
- 18 NEVER operate the sander whilst under the influence or drugs, alcohol or intoxicating medication.
- 19 Check you have no loose clothing, hair, jewellery or any other items of a personal nature that might become entangled with the rotating parts.
- 20 Check you have a maximum inlet air pressure of 90PSI/6.3BAR.

Fast Mover Tools Limited

T: 01582 661993 F: 01582 667100 E: sales@fastmovertoolsuk.com

www.fastmovertoolsuk.com

FT1022
Instruction Manual

Familiarise Yourself with the Controls

- 1 The throttle is pressure sensitive. Applying pressure will increase rotational speed.
- 2 Removal of all pressure will stop the machine.
- 3 This model is fitted with a safety forward and reverse switch. Changing the direction of rotation whilst the tool is operation should not be attempted.
- 4 Never leave the tool unattended and connected to the power supply.

During Use

- 1 When using the sander for long periods of time, check the sanding disc for wear.
- 2 Replace worn discs as worn or clogged discs will make the sander inefficient.
- 3 The sanding operation will cause heat. Check the material that is being worked on that it is not getting too hot. If this is occurring, stop sanding to allow the material to cool down.
- 4 You can adjust the speed of the tool by adjusting the pressure you apply to the throttle.
- 5 Make regular checks on the sanding pad for wear and damage and replace them immediately.
- 6 Due to the potential heat caused by the sanding process, keep flammable liquids and gases well away from the work area.

Installation

- 1 Check the tool over to make sure no part is missing or damaged.
- 2 Fitting an Air Filter, Regulator and Lubricator is recommended.
- 3 Refer to **Fig. 1** for the recommended airline setup.

Fig. 1

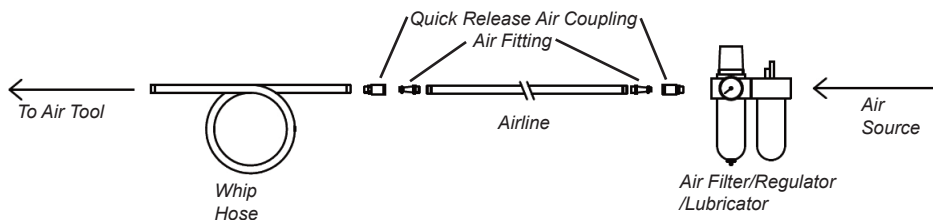
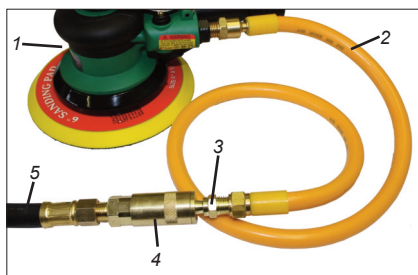


Fig. 2



We recommend that your air tool is connected to the main airline in the way displayed in Fig. 2.

- 1: Air Tool
- 2: Whip Hose/Leader Hose
- 3: Air Fitting
- 4: Quick Coupling
- 5: Main Air Hose

PLEASE KEEP THIS MANUAL SAFE FOR FUTURE REFERENCE

- 4 It is strongly advised that you always use a Whip Hose/Leader Hose in combination with Quick Release Couplings. See **Fig. 2** for recommended setup.
- 5 Water in the air supply will cause the internal bearing of the tool to rust and eventually seize.
- 6 Make sure that your airline is free from water at all times.
- 7 Always select the correct sanding disc grit for the job.

Maintenance

- 1 If the air supply is not lubricated sufficiently it will be necessary to lubricate the tool directly. This can be done by disconnecting the air hose and pouring in 5ml of air tool oil into the Air Inlet. Read safety data sheet or instructions on use of oil to ensure safe usage. These can be obtained from your supplier.
- 2 Replace worn or damaged parts using genuine parts only.
- 3 Store tool in a dry area, do not allow tool to be immerse in water or used/stored in wet conditions.

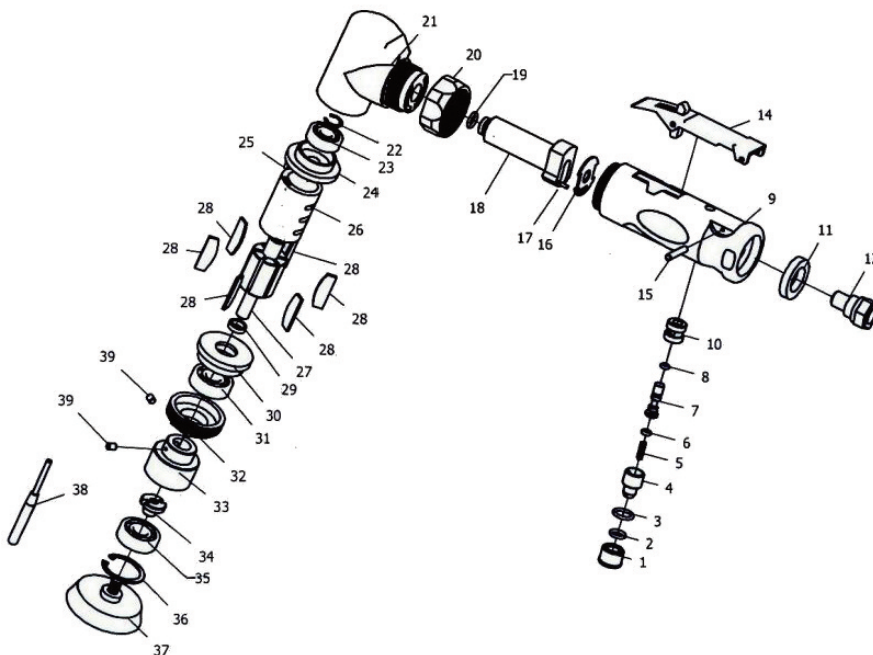
Fast Mover Tools Limited

T: 01582 661993 F: 01582 667100 E: sales@fastmovertoolsuk.com

www.fastmovertoolsuk.com

FT1022
Instruction Manual

Parts Diagram
75mm Composite Sander



No.	Code	Description	Q'ty	No.	Code	Description	Q'ty
1	FT1022/1	Plug Screw	1	32	FT1022/32	Housing Cap	1
2	FT1022/2	O-Ring	1	33	FT1022/33	Random Balance Body	1
3	FT1022/3	O-Ring	1	34	FT1022/34	Nut	1
4	FT1022/4	Air Regulator	1	35	FT1022/35	Bearing	1
5	FT1022/5	Valve Spring	1	36	FT1022/36	Stop Ring	1
6	FT1022/6	O-Ring	1	37	FT1022/37	Pad	1
7	FT1022/7	Valve Stem	1	38	FT1022/38	Key	1
8	FT1022/8	O-Ring	1	39	FT1022/39	Set Screw	2
9	FT1022/9	Motor Housing	1				
10	FT1022/10	Valve Bushing	1				
11	FT1022/11	Muffler	1				
12	FT1022/12	Air Inlet	1				
14	FT1022/14	Trigger	1				
15	FT1022/15	Trigger Pin	1				
16	FT1022/16	Pad	1				
17	FT1022/17	Pin	1				
18	FT1022/18	Bearing Plate	1				
19	FT1022/19	O-Ring	1				
20	FT1022/20	Connect Nut	1				
21	FT1022/21	Angle Head	1				
22	FT1022/22	Stop Ring	1				
23	FT1022/23	Bearing	1				
24	FT1022/24	Bearing Plate	5				
25	FT1022/25	Locating Pin	1				
26	FT1022/26	Cylinder	1				
27	FT1022/27	Rotor	1				
28	FT1022/28	Rotor Blade	6				
29	FT1022/29	Rotor Collar	1				
30	FT1022/30	Bearing Plate	1				
31	FT1022/31	Bearing	1				

Fast Mover Tools Limited

T: 01582 661993 F: 01582 667100 E: sales@fastmovertoolsuk.com

www.fastmovertoolsuk.com

PLEASE KEEP THIS MANUAL SAFE FOR FUTURE REFERENCE

Warranty

We hope that you will be very happy with your purchase. If you do have a problem with your tool, you have the added peace of mind of a 6 month warranty, which comes into date from the date of purchase (proof of purchase required).

Scope of Warranty

- The warranty will cover you from all faults caused by defective components or poor workmanship.
- Tools sent outside the EU are not covered by this warranty.
- Product must be returned to us, the warranty does not cover cost of carriage.
- If the product is no longer in manufacture, it will be replaced with a tool of equivalent or higher specification.

What is not covered

- Normal wear and tear caused by use in accordance with the operating instructions.
- Replacement of any provided accessories, such as Backing Pads, Airline Connections, Air Fittings, Blades, Spanners, etc.
- Accidental damage, faults caused by negligent use or care, neglect, misuse or careless operation, handling and storage of the product.
- Modification of, or change of, any part of this product in any way.
- Faults caused by use of non compatible accessories.
- Tool seizure caused by insufficient oiling.
- Faults caused by incorrect installation.
- Repairs or alterations carried out by non-approved parties.
- Traces of water or rust inside tool - this shows that a properly working air filter has not been used.

Validity

- This warranty is valid for 6 months after date of purchase.
- Warranty is rendered invalid if;
 - Tool is taken apart for any reason without our consent.
 - Tool is not oiled daily.
 - Air supply line is not used with a properly working air filter.
- A warranty claim will not be accepted without an official proof of purchase from your supplier.

Warranty Verification

Please keep this manual with your tool for the purpose of verifying your warranty. Fill in box below to validate warranty.

Fax to 01582 667100

Tool Code: FT1022

Your Details

Company _____

Address _____

Post Code _____

Email _____

Place of Purchase

_____ Post Code _____

Date _____

Fast Mover Tools Limited

T: 01582 661993 F: 01582 667100 E: sales@fastmovertoolsuk.com

www.fastmovertoolsuk.com

FT1022
Instruction Manual

Declaration of Conformity

We declare that the equipment detail below, to the best of our knowledge and ability, complies with the following Directive.

Machinery Directive - 2006/42/EC and amending Directives

Equipment Description	75mm Composite Random Orbital Sander
Part Code	FT1022
Distributed in the EU by	Fast Mover Tools Ltd
Address	Unit 1 Frenchs Avenue Dunstable Bedfordshire LU6 1BH United Kingdom

The following Transposed Harmonised Standards have been applied in the design and construction of this equipment:

EN ISO 28927-3:2009	Hand-held portable power tools - Test methods for evaluation of vibration emission - Part 3: Polisher and rotary, orbital and random orbital sanders
EN ISO 15744:2008	Hand-held non-electric power tools. Noise measurement code. Engineering method (grade 2)

The manufacturer and the distributor, stated above, hold the Technical Construction File for this equipment.

Signed on behalf of the distributor
(the responsible person)



Name: Brian Moffitt
Position: Director
Date and Place: Dunstable, UK




Please look after the environment, dispose of all packaging in a responsible way.
Always dispose of tools in accordance with local authority guidelines.

© 2014 Fast Mover Tools Ltd. This document is copyright and is not to be copied, circulated, distributed or shown to anyone other than the intended recipient without the express permission of the Directors of Fast Mover Tools Ltd.